



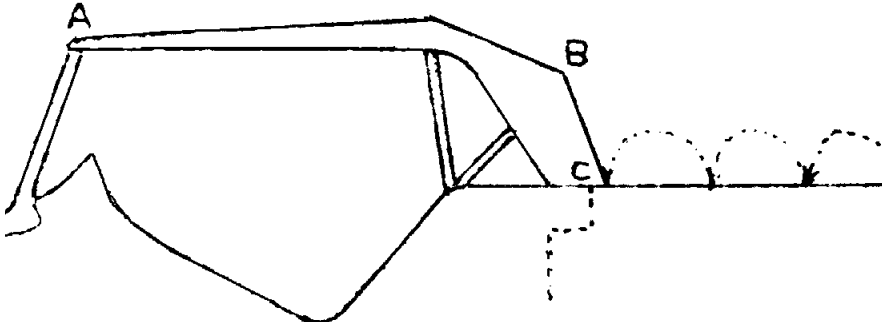
TClinic

FOLDING THE TC HOOD

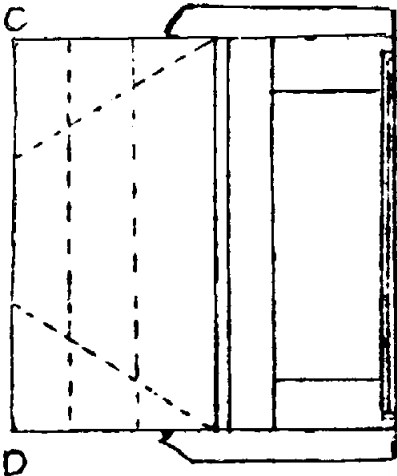
The correct way to fold a TC hood is as follows:

Slacken the thumbscrews on the front of the metal frame at top of the windscreen.

Fold back the hood, and when the metal frame is completely folded, pull out the loose material in a half fold between A and B. Fold corners C and D inwards and then make three folds as shown.



The portion of the hood cover between B and C automatically folds into recess to keep the rear window from creasing. Place a 3-4" diameter cardboard tube in the fold; wrap the tube with a soft cloth first, through — keeps the plastic scratch free.



Fold inwards the corners of the material as shown. To complete — fold over the material in 3 folds as shown above.

First printed by TCMG in October 1973

2002 Update

These instructions still hold true today.